



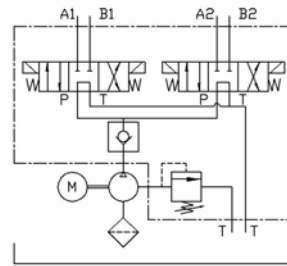
DC HYDRAULIC POWER UNITS

OTHER OPTIONS OF OPERATION

12-12

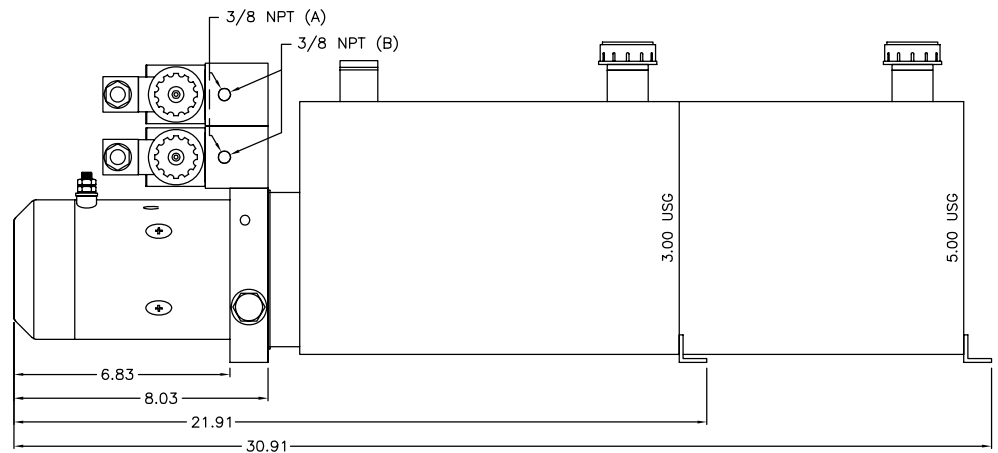
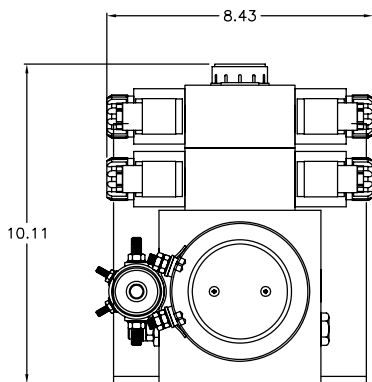
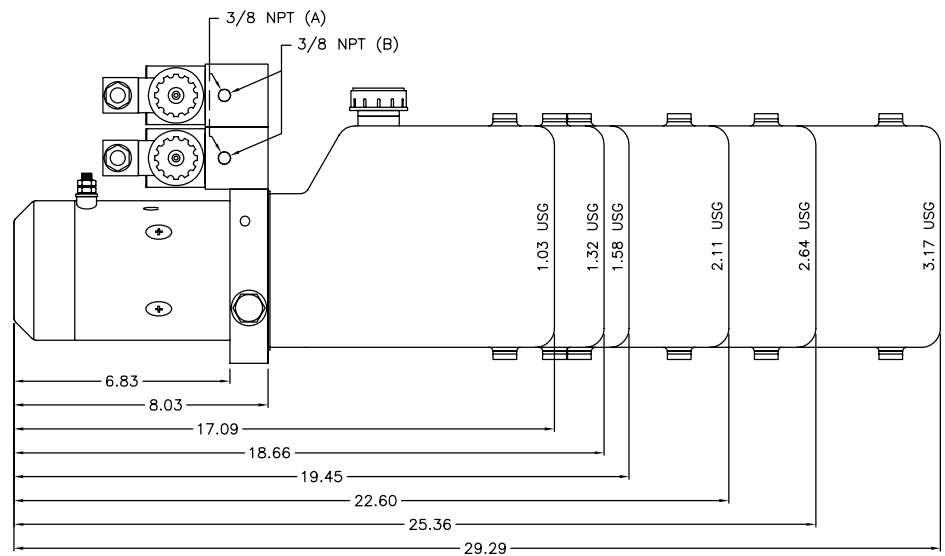
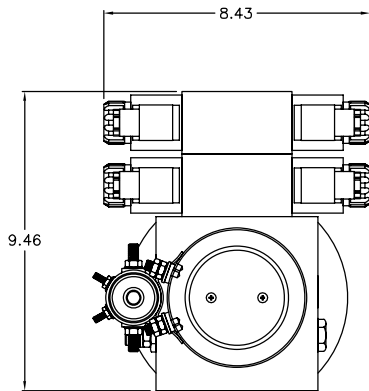
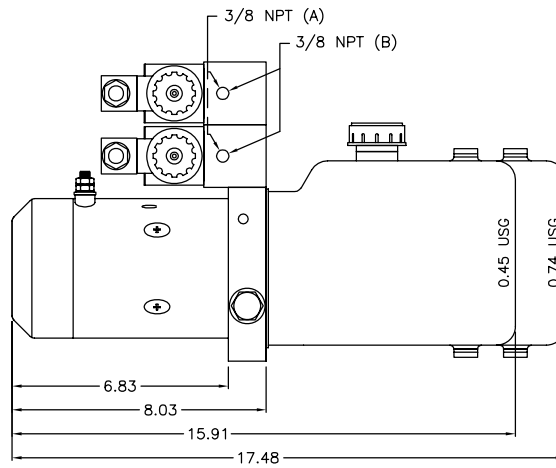
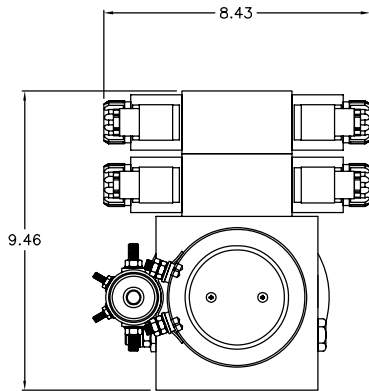
Motor
Pump
Manifold
Reservoir
2 Solenoid valve 4 / 3

(P)ump to port
(A) and Port (B)
to (T)ank
Or
(P)ump to port
(B) and Port (A)
to (T)ank



Two
double acting
cylinders.
Solenoid valve
incorporated
allows extend and
retract
movements

OPTION 12-12- DIMENSIONS



OPTION 12-12 - OPTIONALS - REMOTE CONTROL

